

LPG 기화기(수출용)

LPG VAPORIZER

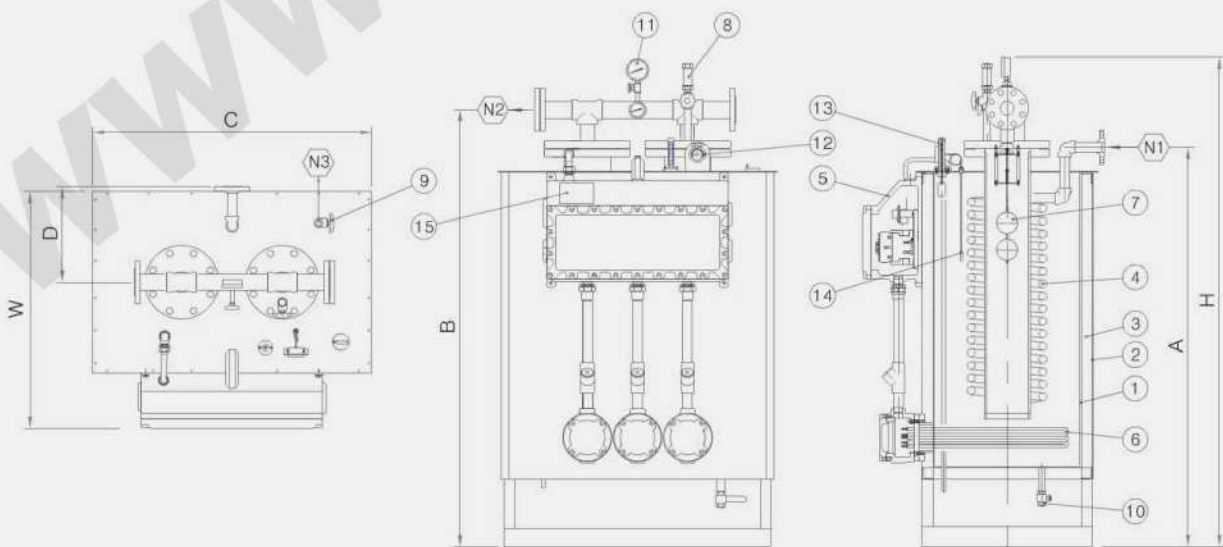
MODEL : HJ - PV

TYPE : WATER BATH, ELECTRIC HEAT
INDIRECT(전열 간접가열)



Specification | 사양

| | |
|---|---------|
| Design Pressure(설계압력) | 1.8Mpa |
| Hydraulic Test Pressure(내압시험압력) | 2.7Mpa |
| Air Tight Test(기밀시험압력) | 1.76Mpa |
| Design Temperature(설계온도) | 100℃ |
| Operating Temperature(사용온도) | 60~70℃ |
| Safety valve setting pressure(안전밸브설정압력) | 1.76Mpa |



Dimension | 표준성능 및 규격

* 아래사양은 제품개선을 위해 예고없이 변경될 수 있습니다.

| MODEL | CAPACITY (kg/h) | ELECTRIC HEATER (KW) | DIMENSION(mm) | | | | | | NOZZLE SCHEDULE | | | ELECTRIC | | EMPTY WEIGHT (kg) | WATER CAPA- CITY (ℓ) | ANTI FREEZE -20°C (ℓ) |
|------------|--------------------|----------------------------|---------------|------|------|-----|------|------|-----------------|--------------|-------------|-------------------------------|------------------|-------------------------|-------------------------------|--------------------------------|
| | | | A | B | C | D | H | W | INLET N1 | OUTLET N2 | DRIAN N3 | MAGNET CONTACTOR (380V) | T/R (380-220) | | | |
| HJ-PV-50 | 50 | 7 X 1 = 7KW | 930 | 1015 | 470 | 230 | 1190 | 620 | 20A | 20A | 15A | 32A | 60VA | 110 | 80 | 25 |
| HJ-PV-100 | 100 | 14 X 1 = 14KW | 930 | 1015 | 520 | 230 | 1190 | 670 | 20A | 25A | 15A | 40A | 60VA | 130 | 100 | 30 |
| HJ-PV-150 | 150 | 20 X 1 = 20KW | 1120 | 1215 | 570 | 230 | 1340 | 770 | 20A | 25A | 15A | 40A | 60VA | 160 | 180 | 55 |
| HJ-PV-200 | 200 | 14 X 2 = 28KW | 1120 | 1215 | 700 | 230 | 1340 | 670 | 20A | 25A | 15A | 50A | 60VA | 170 | 180 | 55 |
| HJ-PV-300 | 300 | 20 X 2 = 40KW | 1200 | 1265 | 700 | 260 | 1340 | 770 | 25A | 40A | 15A | 65A | 60VA | 190 | 230 | 70 |
| HJ-PV-400 | 400 | 27 X 2 = 54KW | 1270 | 1350 | 850 | 450 | 1750 | 770 | 25A | 50A | 15A | 100A | 100VA | 270 | 280 | 80 |
| HJ-PV-500 | 500 | 22.5 X 3 = 67.5 | 1300 | 1400 | 900 | 450 | 1750 | 830 | 25A | 50A | 15A | 130A | 100VA | 350 | 340 | 100 |
| HJ-PV-600 | 600 | 27 X 3 = 81KW | 1420 | 1500 | 980 | 450 | 1750 | 830 | 25A | 50A | 15A | 130A | 100VA | 410 | 420 | 125 |
| HJ-PV-800 | 800 | 27 X 4 = 108KW | 1450 | 1620 | 1100 | 450 | 1750 | 1000 | 40A | 50A | 15A | 170A | 100VA | 620 | 680 | 200 |
| HJ-PV-1000 | 1000 | 33 X 4 = 132KW | 1450 | 1580 | 1400 | 400 | 1670 | 1050 | 40A | 80A | 15A | 250A | 100VA | 740 | 950 | 280 |

* 1,000kg/Hr 이상은 별도 문의 요망

Feature | 특기사항

1. Bath Water- Heat Media - is heated by Electric Heater and the water transfers heat in heat exchange coil indirectly.
2. Electric Power source can be used either 220 volt single phase or 220V, 380V, 440V and 480V 3 phases.
3. Water Temperature Range is 65°C up to 90°C.
4. All the Electric systems are fitted with pressurized Flameproof .

1. 열매체인 물을 전기히터로 열을 가하고 그 물은 간접적으로 열 교환 코일에 열을 전달한다.
2. 전원은 220V 단상 또는 220V, 380V, 440V, 480V 3상중 선택가능.
3. 온수가열온도는 65°C ~ 90°C.
4. 모든 전기장치는 내압방폭 인증제품으로 장착되어 있다.

Material | 재질

| NO | PART NAME | MATERIAL | NO | PART NAME | MATERIAL |
|----|-----------------------------|----------|-----|---------------------|------------|
| 1 | Water Bath | Steel | 10 | Water Drain Valve | BRASS |
| 2 | Insulation Cover | Steel | 11 | Pressure Gauge | Cr Coating |
| 3 | Insulation | N.B.R | 12 | Temperature Gauge | Cr Coating |
| 4 | Heat Exchange Coil | STPG370 | 13 | Water Level Gauge | ACRYL |
| 5 | Electric Control Box | AL | 14 | Temperature Sensor | SUS316 |
| 6 | Electric Heater | SUS304 | 15 | Name Plate | SUS304 |
| 7 | Liquid Over Flow Protection | SUS304 | N-1 | Liquid Inlet Nozzle | |
| 8 | Safety Valve | BRASS | N-2 | Vapor Outlet Nozzle | |
| 9 | Gas Drain Valve | BRASS | N-3 | Gas Drain | |